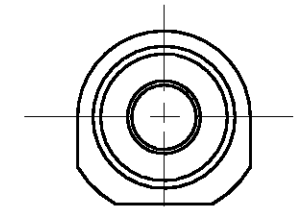
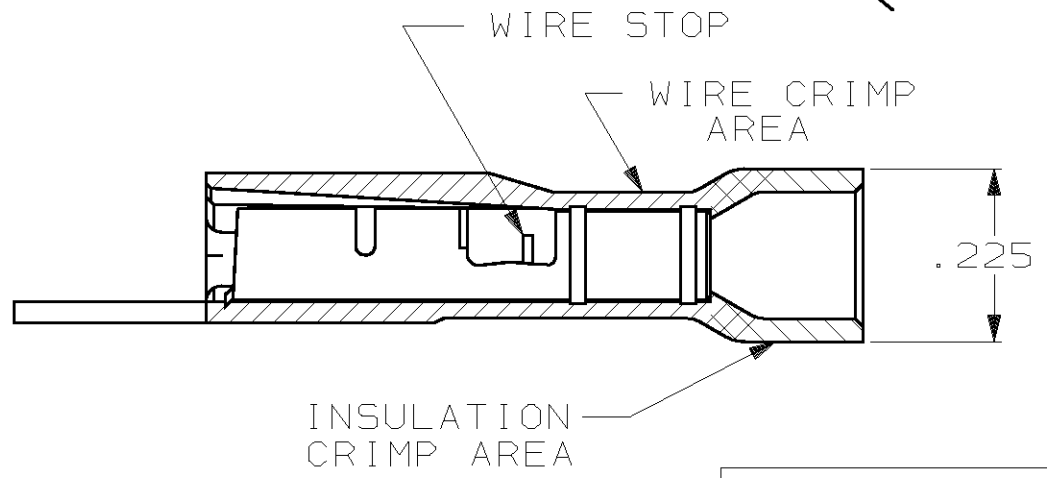
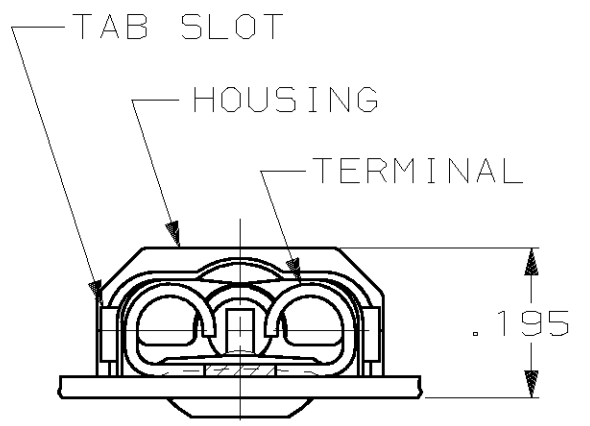
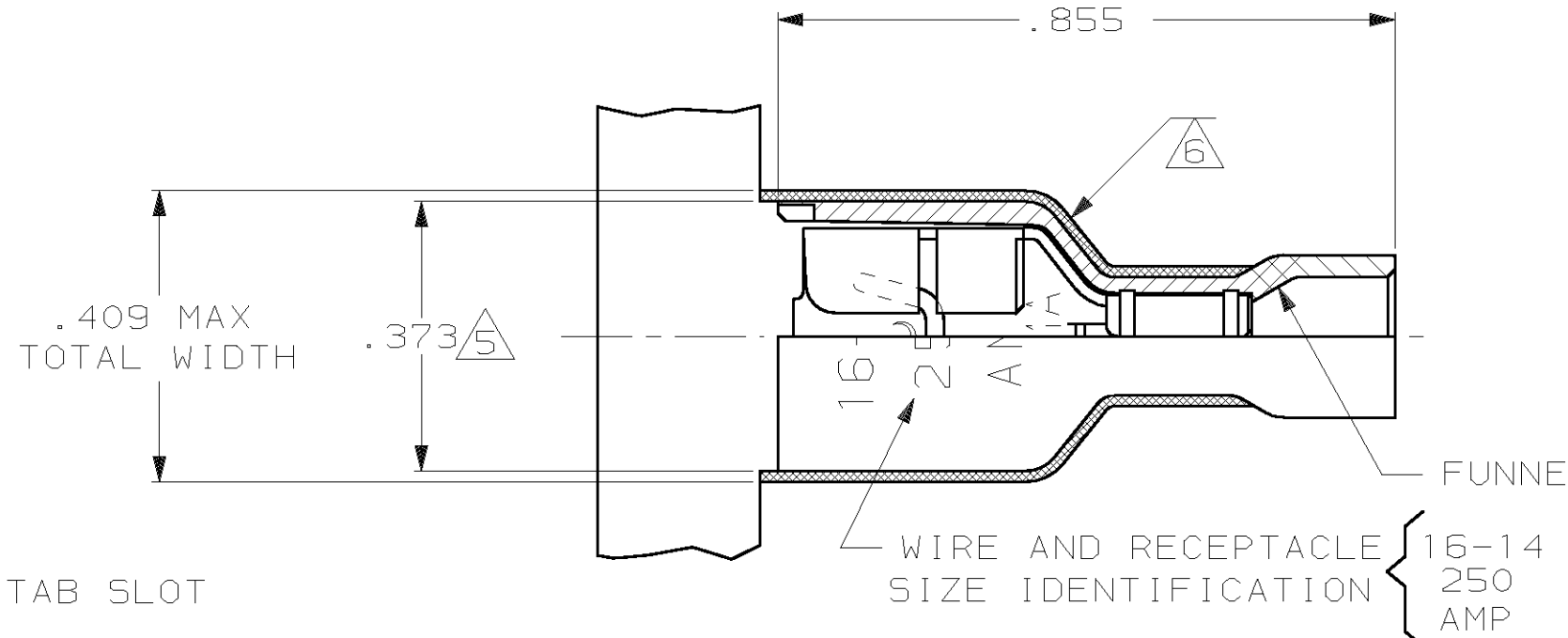


THIS DRAWING IS UNPUBLISHED. RELEASED FOR PUBLICATION, 19
 © COPYRIGHT 19 BY AMP INCORPORATED. ALL INTERNATIONAL RIGHTS RESERVED.

LOC AF	DIST 50	P	F	REVISIONS			DATE	APPD
				ZONE	LTR	DESCRIPTION		
					J	REV PER 0G1A-0148-99	4JUN99	JR JH

- 1 MATES WITH .032±.001x.250 TAB
- 2 WIRE STRIP LENGTH .281
- 3 INSULATION SIZE .090-.160 DIA
- 4 CONTINUOUS STRIP ON REELS
- △5 DIMENSION DOES NOT INCLUDE TRIM BURR
- △6 .015 MAX CARRIER TRIM BURR PER SIDE IS ALLOWABLE IN THE SHADED AREA



HOUSING: NYLON, COLOR-BLUE TRANSLUCENT		3-520406-2	
RECEPTACLE: #3 HARD BRASS TIN PL .000080 MIN THK		PART NO	
DO NOT SCALE PRINT. UNLESS SPECIFIED DIMENSIONS IN INCHES TOLERANCES ON: 2 PLC DEC ± - 3 PLC DEC ± .015 ANGLES ± -		DR 10/27/88 P FORTNEY	AMP INCORPORATED Harrisburg, Pa. 17105
MATERIAL SEE TABLE	CHK 11/3/88 MS FEHER	NAME RECEPTACLE ASSY, ULTRA-FAST PLUS, .250 SERIES, 16-14 AWG	
FINISH SEE TABLE	APPD 11/14/88 K RANDOLPH	SIZE B	FSCM NO 00779
	APPD 11/14/88 TL SHUTTER	SCALE 4:1	DRAWING NO 520406
	PRODUCT SPEC 108-2044		SHEET 1 OF 1
	APPLICATION SPEC 114-2123		
	WEIGHT -		